



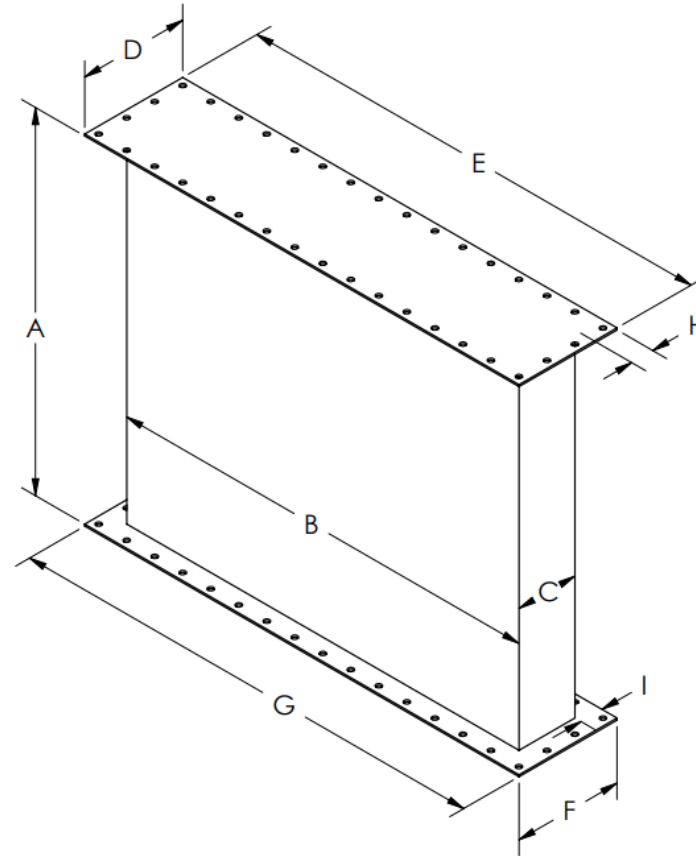
MEASUREMENT GUIDE BOLT-ON RADIATORS

A- CORE HIEGHT : _____ "
B- CORE WIDTH : _____ "
C- CORE DEPTH : _____ "

D- LENGTH OF TOP HEADER : _____ "
E- WIDTH OF TOP HEADER : _____ "

F- LENGTH OF BOTTOM HEADER : _____ "
G- WIDTH OF BOTTOM HEADER : _____ "

H- TOP HEADER OFFSET : _____ "
I - BOTTOM HEADER OFFSET : _____ "



ADDITIONAL INFORMATION

1 - LENGTH OF BOTTOM HEADER : _____ "
2 - SHAPE OF HEADERS : _____ "
3 - MATERIAL THICKNESS OF HEADERS : _____ "
4 - FIN TYPE : _____ "
5 - FPI (Fins Per Inch) : _____ "