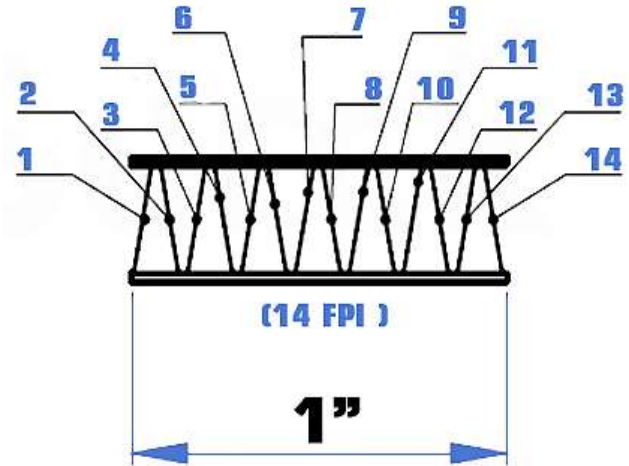




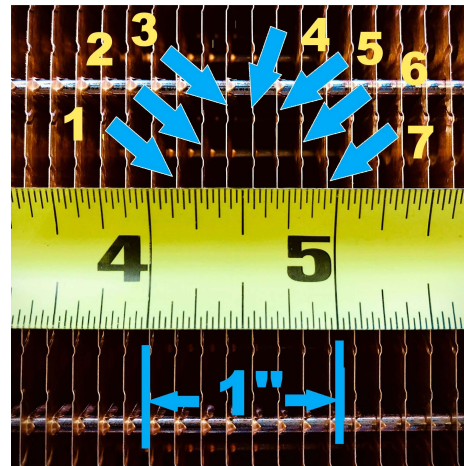
HOW TO MEASURE FPI (Fins Per Inch)

Measure the Fin Per Inch (FPI) by holding a measuring tape along the tube length and measure number of fins in one inch

SERPENTINE FIN - (Automotive Core)



FLAT FIN - (Industrial Core)



HOW TO MEASURE TUBE PITCH

Measure the distance between two tube centres.
Or measure over 10 tubes and calculate tube center distance

