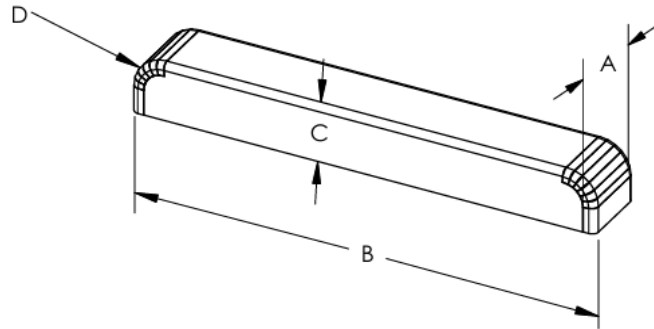


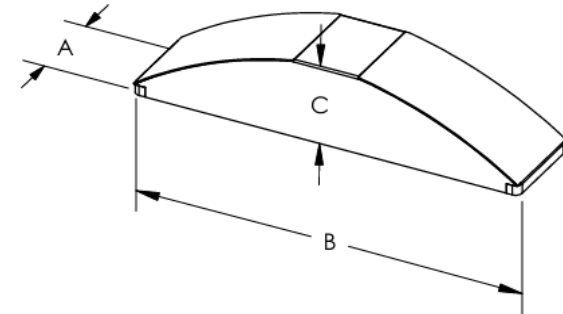


ROUND TANK



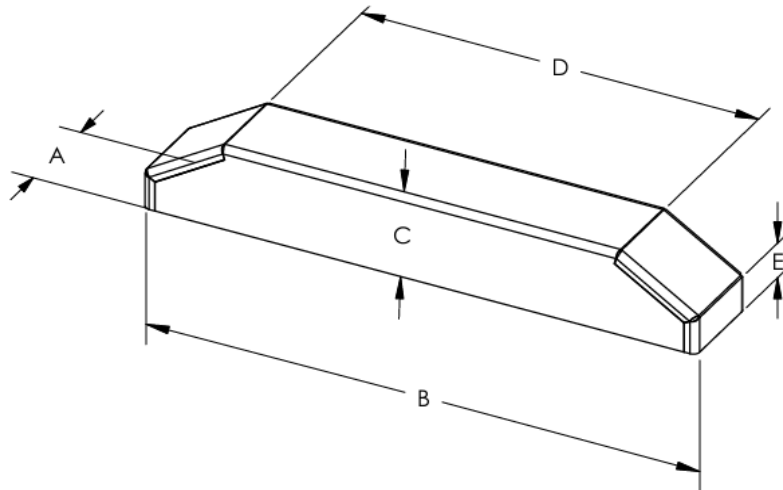
- A- HEADER WIDTH : _____ "
- B- HEADER LENGTH : _____ "
- C- TANKS HEIGHT : _____ "
- D- ROUND : _____ "

HALF MOON TANK



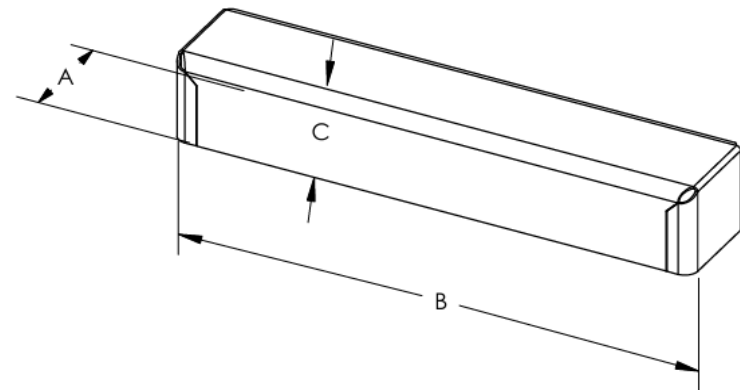
- A- HEADER WIDTH : _____ "
- B- HEADER LENGTH : _____ "
- C- TANKS HEIGHT : _____ "

ANGLE TANK



- A- HEADER WIDTH : _____ "
- B- HEADER LENGTH : _____ "
- C- TANKS HEIGHT : _____ "
- D- PLATEAU : _____ "
- E- SIDE HEIGHT : _____ "

SQUARE TANK



- A- HEADER WIDTH : _____ "
- B- HEADER LENGTH : _____ "
- C- TANKS HEIGHT : _____ "